

## Self Installation for H25 Mounting Bracket

The enclosed H25 mounting bracket is designed to alleviate some issues associated with locating your DIRECTV receiver near your TV. The H25 can now be located directly behind the TV in close proximity to cable connections and power sources.

**Please note:** A RF remote control plus the H25 RF remote adapter are required to operate the H25 receiver in RF mode (ex: mounted behind the TV or under a cabinet). A replacement H25 Mounting Kit (bracket, RF remote, RF adapter) can be purchased by calling **1-800-531-5000** or by going to **www.directv.com**.

Follow the instructions below to safely anchor the mounting bracket to a wall, secure the H25 receiver in the bracket, and attach the RF remote adapter to the mounting bracket.

### Attaching the H25 Mounting Bracket to a wall

The wall mount bracket should be mounted using 3 screws. Follow the guidelines below for proper wall installation

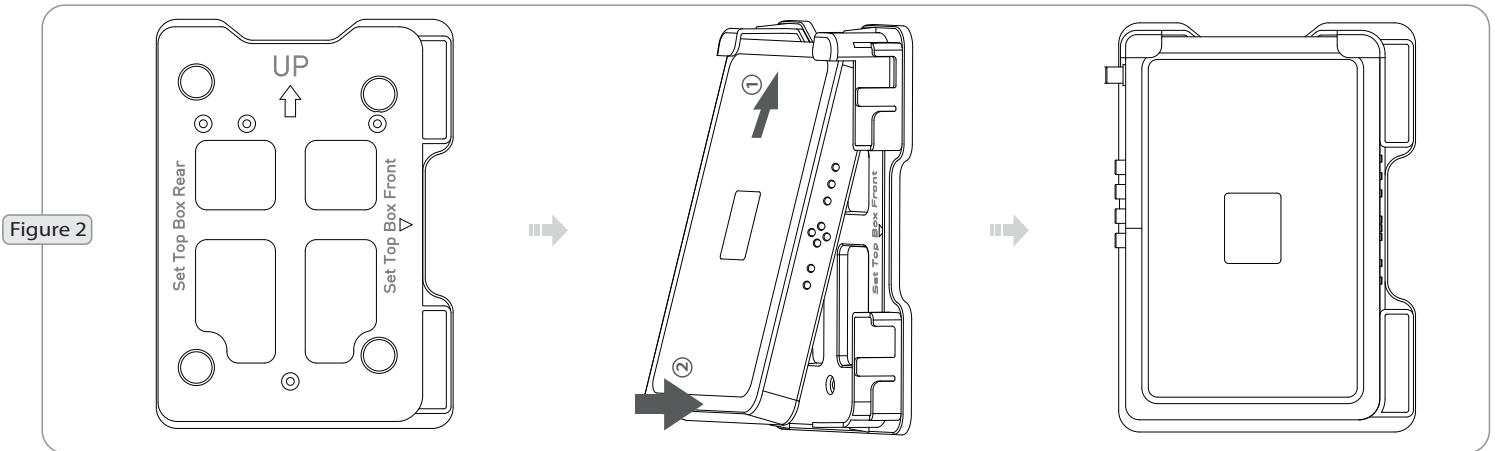
- Use #6 wood-screw that is at least 3/8" long
- Use three points (A,C,D) or (B,C,D) to attach the mounting bracket to the wall (shown in Figure 1)

**To install the wall mount bracket on a wall, follow these instructions:**

1. Ensure that the target location is free from hazards (electricity cables/pipes etc).
  2. Drill two pilot holes 1 inch (1.0") deep using a 1/8th inch (0.125") drill bit.  
The two pilot holes should be level and spaced apart horizontally.  
For using point [A,C], orientation spacing is 3.937 inches (100mm).  
For using point [B,C], orientation spacing is 2.9527 inches (75mm).
- At least one of the screws should be anchored to a wooden stud when mounting to a stud partition wall
  - Use suitable dry wall anchors when attaching the mounting bracket to dry wall
  - Use suitable masonry plugs when attaching the mounting bracket to stone/brick wall

### Securing the H25 to the mounting bracket

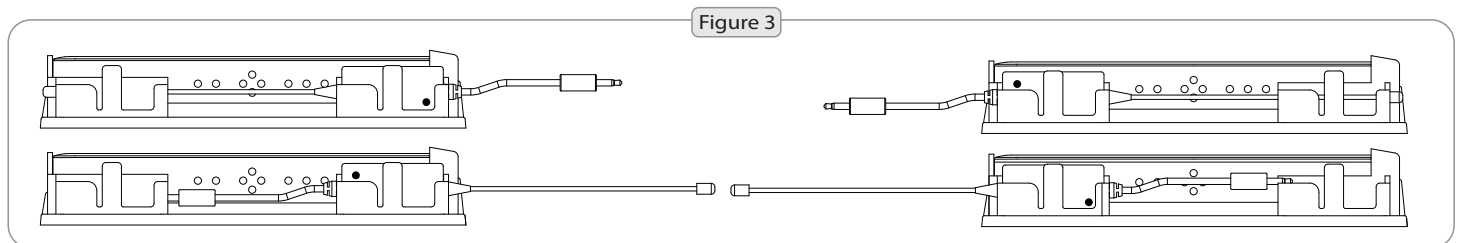
1. Insert the H25 (access card side) into the side of the mounting bracket labeled "Up" as shown in figure 2
2. Press the opposite end of the H25 into the mounting bracket until it clicks into place as shown in figure 2



### Attaching the RF Adapter to the mounting Bracket

There are four different mounting options for the RF Remote Adapter (shown in figure 3). All four options provide the same level of functionality.

1. Attach the RF Adapter by placing the body of the adapter (DIRECTV logo facing out) into one of the 2 clips built into the mounting bracket
2. Insert the 3.5mm phono plug from the RF Adapter into the "external remote" jack on the back of the H25 receiver.



### Setting up RF remote functionality on the H25 receiver

1. The H25 must be in line of site in order to set up RF capability. Once RF capability is enabled the H25 can be controlled without line of site (ex: behind the TV)
2. Turn on the TV and the H25
3. Press 'Menu', then select 'Parental, Fav's & Setup', 'System Setup', 'Remote Control', and then 'IR/RF Setup' and follow the onscreen instructions

